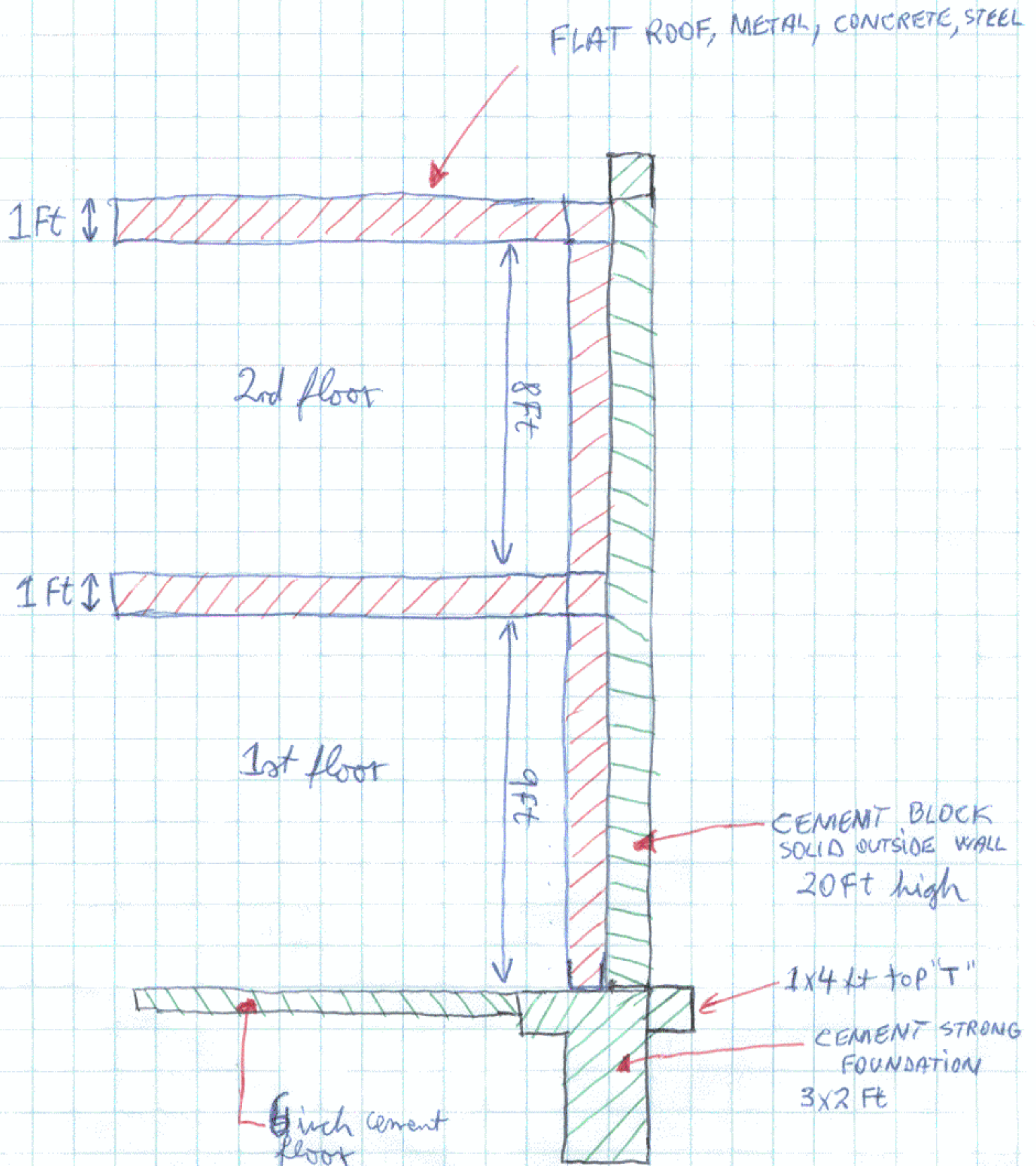


FOUNDATION & WALL + FRAME (WOOD)



$$\begin{aligned} \left(\frac{1}{2}\right) \times 1236 &= 618 \text{ Ft}^3 \\ &= 22 \text{ yd}^3 \\ &= "22,8899" \text{ yd}^3 \end{aligned}$$

$$10 \times 16 \times 8 = 1280 \text{ Ft}^3 = 47,4074 \text{ yd}^3$$